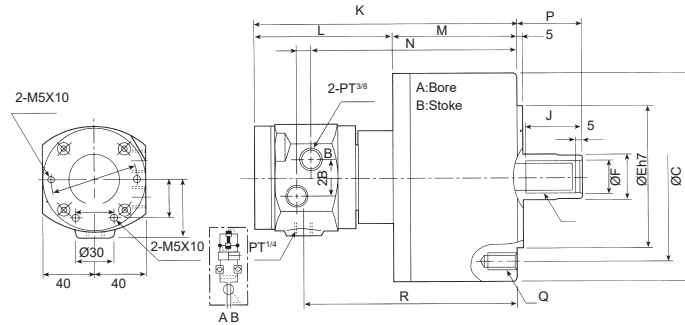




# Non Through Hole Rotary Hydraulic Cylinder (With Valves)



● Built-in safety check valves.



## DIMENSIONS

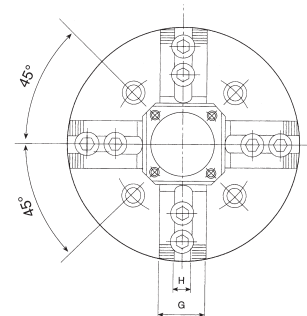
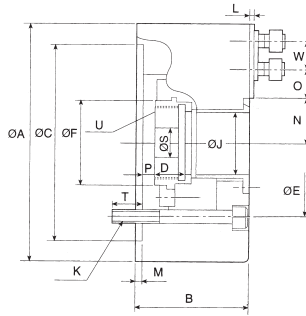
ORDER NO.	Dim	A	B	C	D	E	F	G	H	J	K	L	M	N	P Max.	P Min.	Q	R	CODE NO.
		MS105	105	20	135	100	80	30	21	M20x2.5	35	197	108	89	152	45	25	6-M10x20	158
MS125	125	25	160	130	110	35	25	M24x3.0	44	205	108	97	160	51	26	6-M12x24	166	5003-031	
MS150	150	30	190	130	110	45	31	M30x3.5	45	214	108	106	169	56	26	12-M12x24	175	5003-032	
MS200	200	35	245	145	120	55	37	M36x4.0	60	228	108	122	183	69	34	12-M16x30	189	5003-033	

## SPECIFICATIONS

ORDER NO.	Dim	Piston Area		Max. Draw Bar Pull Side KN (kgf)	Piston Stroke (mm)	Max. Speed (r.p.m.)	Max. Operating Pressure (kgf/cm <sup>2</sup> )	Total Leakage (l/min)	Moment Inertia I (kgf.m <sup>2</sup> )	Weight (kgs)
		Push Side (cm <sup>2</sup> )	Pull Side (cm <sup>2</sup> )							
MS105		86	79	29(2957)	20	6000	4.0(40.8)	0.8	0.0125	7.1
MS125		122	113	42(4283)	25	6000	4.0(40.8)	0.8	0.0225	10
MS150		176	160	60(6118)	30	5500	4.0(40.8)	0.8	0.0475	13.5
MS200		314	290	108(11013)	35	5500	4.0(40.8)	0.8	0.0975	22



# 4-Jaw Wedge Type Through Hole Power Chuck (Without Adaptor)



## DIMENSIONS

ORDER NO.	A	B	C (H6)	D	E	M	G	H	J	K	L	F	N Max.	N Min.	O Max.	O Min.	P Max.	P Min.	S	T	U	W
VNIT-208	210	91	170	20.5	133.35	5	37	14	52	4-M12	2	66	38.7	35	29.75	14.75	14.5	1.5	30	20	M60x2	25
VNIT-210	254	100	220	25	171.45	5	42	16	75	4-M16	2	94	51	46.6	33.75	14.75	8.5	-10.5	45	22	M85x2	30
VNIT-212	304	110	220	28	171.45	6	52	21	91	4-M16	2	108	61.3	56	45.75	15.75	8	-15	50	23	M100x2	30
VNIT-215	381	133	300	43	235	6	62	24	117.5	4-M20	5	139	82	76.7	46.75	13.75	7	-16	60	30	M130x2	43

## SPECIFICATIONS

ORDER NO.	Through-Hole (mm)	Plunger Stroke (mm)	Jaw Stroke (mm)	Max. Draw Bar Pull Force (kgf)	Max. Gripping Force (kgf)	Max. Speed (r.p.m.)	Weight (kgs)	Matching Cylinder	Max. Operating Pressure (kgf/cm <sup>2</sup> )	CODE NO.
VNIT-208	Ø52	16	7.4	2294	5716	4900	24	M1552	17.3	5003-050
VNIT-210	Ø75	19	8.8	2906	7546	4200	36	M1875	18.4	5003-051
VNIT-212	Ø91	23	10.6	3739	9789	3300	58.5	M2091	18.4	5003-052
VNIT-215	Ø117.5	23	10.6	6828	12236	2500	114	M2511	15.3	5003-053