

- These surface plates are designed for a diversity of applications where a smooth surface is needed.
- Rigidity and lasting accuracy are ensured by adequate top and side thickness and ribbed construction.
- The surfaces are free from pinholes. Precisely finished by planing and hand scraping, suitable for various kinds of high precision work, inspection and countless other uses.

Surface Plates

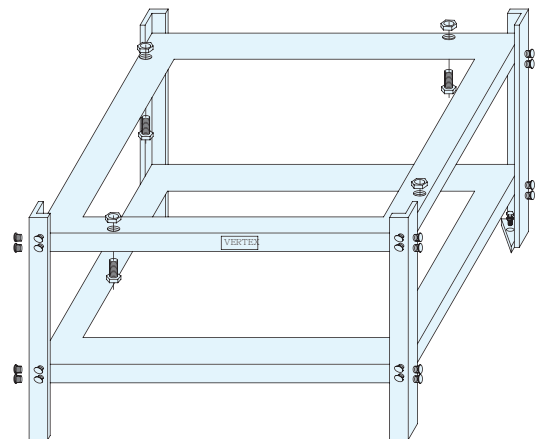
Unit:mm

ORDER NO.	SIZE	SURFACE ACCURACY	APPROX. WEIGHT	CODE NO.
	mm		kgs	
VS-01	200x200x50	0.005/100	7.1	2021-001
VS-02	250x250x50		11.1	2021-002
VS-03	250x300x50		10.9	2021-003
VS-04	300x300x50		12.6	2021-004
VS-05	300x400x60	0.006/100	20.1	2021-005
VS-06	300x450x65		24	2021-006
VS-07	450x450x80		50.5	2021-007
VS-08	500x500x75		56	2021-008
VS-09	450x600x100		64.5	2021-009
VS-10	600x600x100	0.007/100	78	2021-010
VS-11	600x900x110		117	2021-011
VS-12	900x900x130		220	2021-012
VS-13	900x1200x155		305	2021-013

NEW



Separated Modular Design DIY Type.
Low Profile Packing
With Adjustment Screw For Leveling



Cast Iron Surface Plates Stand

ORDER NO.	STAND SIZE	KGS	CODE NO.
	mm		
VSD-09N	450x600x700	25.6	2021-009N
VSD-10N	600x600x700	28.2	2021-010N
VSD-11N	600x900x700	47.8	2021-011N
VSD-12N	900x900x700	54.3	2021-012N
VSD-13N	900x1200x600	70.0	2021-013N