



Oil Skimmer With Belt Type

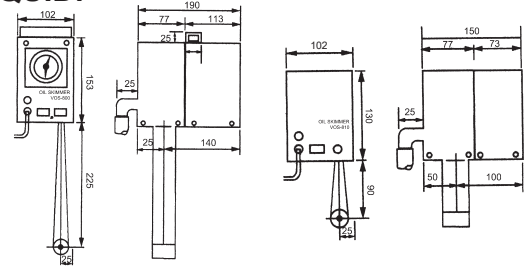


OIL SKIMMER FOR MACHINE TOOL.
IT IS FOR CLEAR FLOATING OIL ON CUTTING LIQUID.



ORDER NO. VOS-800

ORDER NO. VOS-810



FEATURES

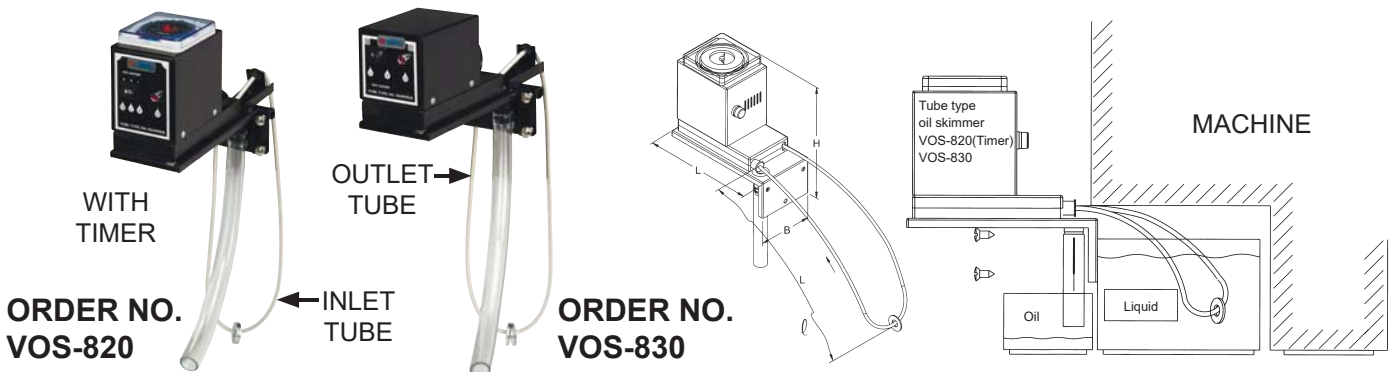
- Oily leather belt cycle for collecting oil and efficiently and completely getting rid of dirty oil.
- Much less cost of running., without any material expended.
- Small volume., light weight., easy to install and to operate.
- Special leather belt with feature of excellent durability, heat-resistance, and chemical-resistance.
- VOS-800 attached a 24 hours procedure timer to run repeatedly in accordance with time proportion which it is set, and also provides the best efficiency of sucking floating oil.

Unit: mm

ORDER NO.	POWER SOURCE	CAPACITY	DIMENSION			WEIGHT (kgs)	BELT DIMENSION		DIMENSION OF HOSE	CODE NO.
			L	B	H		B	L		
VOS-800	AC 110/220V	4L/h	190 mm	102 mm	153 mm	3.4	39x800 mm		ø22x600 mm	2020-100
VOS-810			150 mm	102 mm	138 mm	3	39x550 mm			2020-101



Oil Skimmer With Belt Type



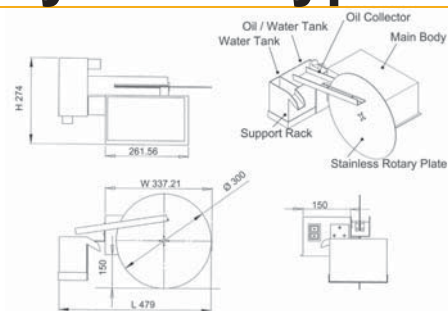
IF THE MACHINE DON'T HAVE SPACE FOR THE OIL SKIMMER. PLEASE CHOICE THIS TYPE.

Unit: mm

ORDER NO.	CAPACITY	DIMENSION			INLET TUBE SIZE	OUTLET TUBE SIZE		POWER SOURCE	WEIGHT (kg)	CODE NO.
		L	B	H		ø	Length			
VOS-820	1L/hr	155 mm	78 mm	178 mm	ø2:300 mm	ø22	150 mm	AC 110/220V	1.9	2020-102
VOS-830		155 mm	78 mm	140 mm	ø3:200 mm					2020-103



Oil Skimmer With Rotary Plate Type



Unit: mm

ORDER NO.	CAPACITY	POWER SOURCE	DIMENSION			WEIGHT (kgs)	CODE NO.
			L	W	H		
VOS-850	1L/hr	AC 220V	479	337.21	274	8.6	2020-104