



# ER Collet Dividing Punch Grinder With Sine Plate



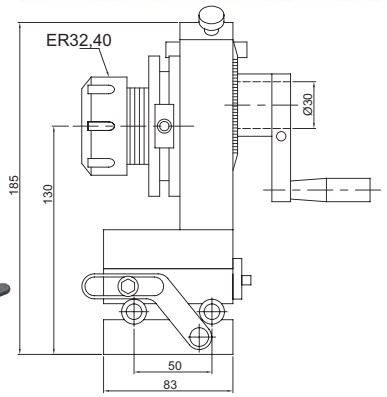
ORDER NO.V-PS-ER32S

CODE NO.2001-060

WEIGHT:11kgs



Example V-601  
Special Acces.



## Tilting Feature

- ER Collet Dividing Punch Grinder put ER32 main body and with collet inner size 6, 8, 10, 12, 16, 20mm, total 6pcs, the weight is 11kgs.
- The center of collet can move gently to help the concentricity more precision.
- This punch grinder can divide into 24° angles, each angle is 15 degrees at ±10 seconds accuracy.

Special accessory: ER16 connection, (V-601 20-ER16-50L WITH 10PCS COLLET) can use ER16 base can select sine vise base which is good for sine angle use (ORDER NO.V-PS-ER32S) please choose from page C16

SINE PLATE

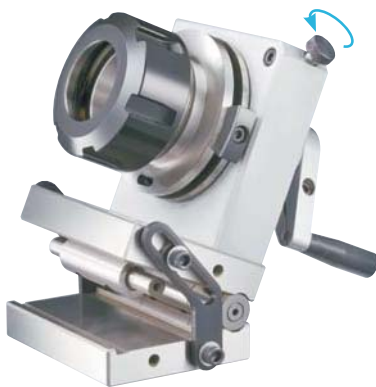


# ER Collet Dividing Punch Grinder With Sine Plate

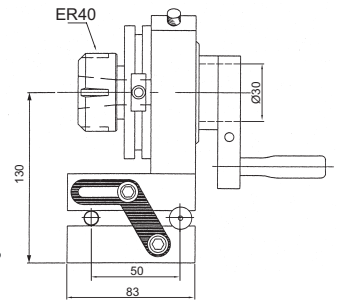
ORDER NO.V-PS-ER40S

CODE NO.2001-065

WEIGHT:10kgs



Example V-601  
Special Acces.



## Tilting Feature

- ER Collet Dividing Punch Grinder put main body and with collet inner. ER40 with 7pcs, Size 6,8,10,12,16,20,25 mm
- The center of collet can move gently to help the concentricity more precision.
- This punch grinder can divide into 24° angles, each angle is 15 degrees at ±10 seconds accuracy.

Special accessory: ER16 connection, (V-601 20-ER16-50L WITH 10PCS COLLET) can use ER16 base can select sine vise base which is good for sine angle use (ORDER NO.V-PS-ER32S) please choose from page C16

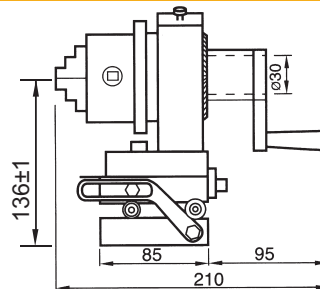


# 3-Jaws Punch Former With Sine Plate

ORDER NO.V-PS-80JS

CODE NO.2001-070

WEIGHT:11.7kgs



## Tilting Feature

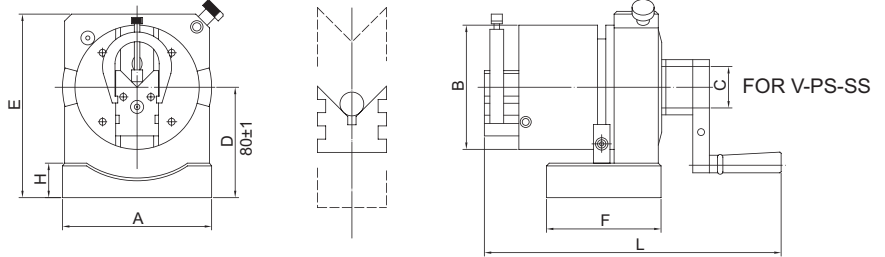
- The center of 3 jaws punch grinder can move gently to fix and to help the concentricity more precision.
- This punch grinder can divide into 24 angles, each angle is 15 degrees at 10 seconds accuracy, the weight is 8.7kgs.
- This style base can be selected to set up with sine plate to make sine angles. The sine plate also can be used with other Machines.
- The base can be adjusted for sine angle. (ORDER NO.V-PS-80JS)

# Punch Former With Sine Plate

**NEW**



V-PB & V-PS Type With Sine Plate  
 V-PB-BS 2 Way  
 V-PS-SS 1 Way Ø30 Through Hole  
 The Feature Is Show On Page B1,B2

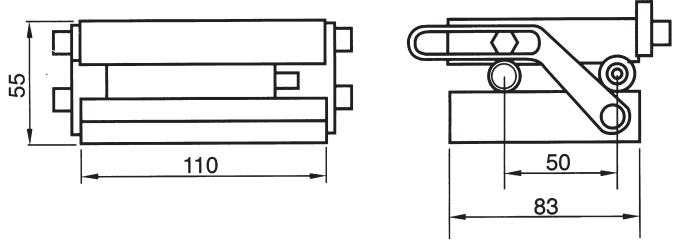
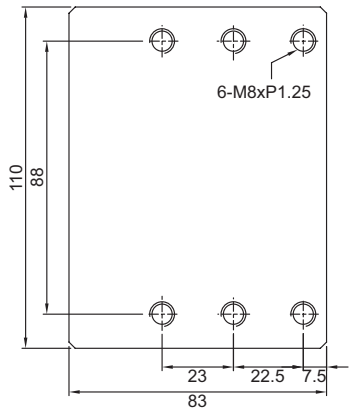


ORDER NO.	A	B	C	D	E	F	G	H	L	TOTAL HEIGHT	SINE BAR CENTER	N.W.	CODE NO.
V-PB-BS	108	Ø90	Ø30	80-81	133	83	45	25	215	136	50	13.6 kgs	2001-080
V-PS-SS	108	Ø90	Ø30	80-81	133	83		25	197	136	50	13.0 kgs	2001-081

## Sine Plate For All Type Punch Former

ORDER NO.V-PS-SP CODE NO.2001-050  
 WEIGHT:3.6kgs

OPTIONAL ACCESSORIES



IT'S FIT WITH VERTEX'S :  
 V-PB, V-PS. V-PS-ER-32.  
 V-PS-ER40, V-PS-80J