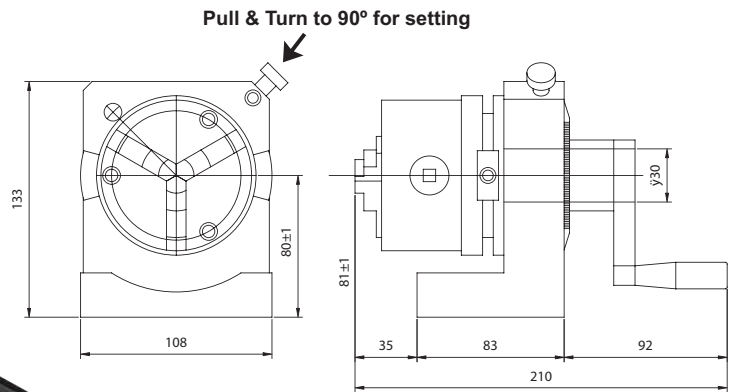
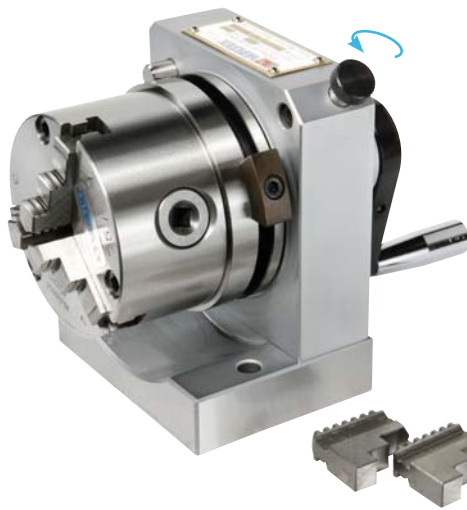




# 3-Jaws Punch Former

ORDER NO.V-PS-80J CODE NO:2001-030



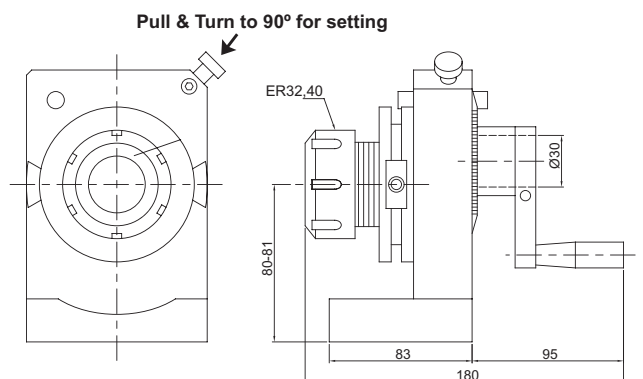
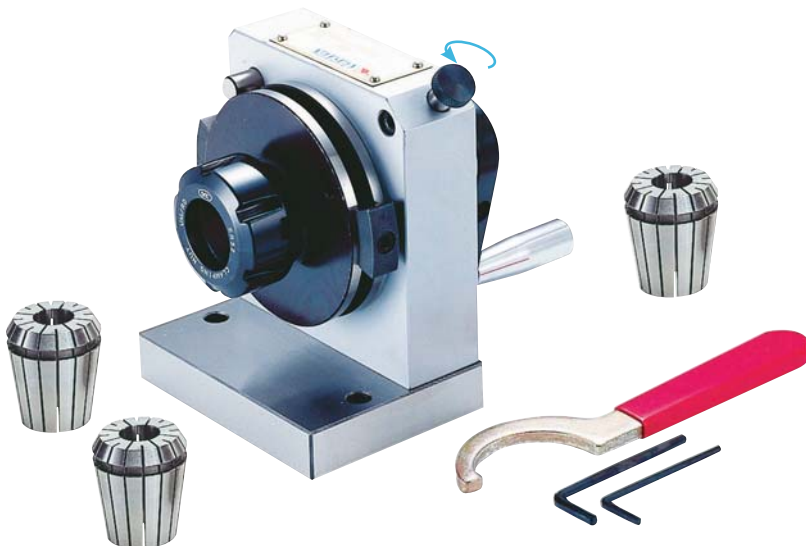
- VSC-3, 3 jaw chuck Clamping :  $\text{Ø}2\text{-}70$  mm
- The center of 3 jaws punch grinder can move gently to fix and to help the concentricity more precision.
- This punch grinder can divide into 24 angles, each angle is 15 degrees at 10 seconds accuracy, the weight is 8.7kgs.
- This style base can be selected to set up with sine plate to make sine angles. The sine plate also can be used with other Machines.
- The base can be adjusted for sine angle.  
(ORDER NO.V-PS-80JS)



# ER Collet Dividing Punch Former

ORDER NO.V-PS-ER32 CODE NO.2001-040

ORDER NO.V-PS-ER40 CODE NO.2001-041



- ER Collet Dividing Punch Grinder put ER32 main body and with collet inner size 6, 8, 10, 12, 16, 20mm, total 6pcs. the weight is 11kgs. ER40 with 7pcs.
- The center of collet can move gently to help the concentricity more precision.
- This punch grinder can divide into  $24^\circ$  angles, each angle is 15 degrees at  $\pm 10$  seconds accuracy.
- ER16 connection, special accessory (v-601 20-ER16-50L WITH 10PCS COLLET) can use ER16 base can select sine vise base which is good for sine angle use  
(ORDER NO.V-PS-ER32S).