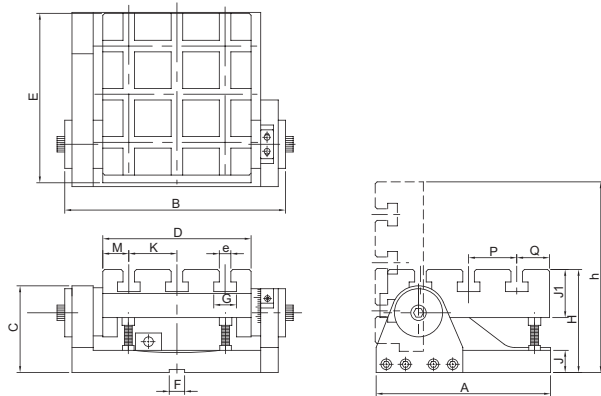


# Light Duty Tilting Plate



**NEW**



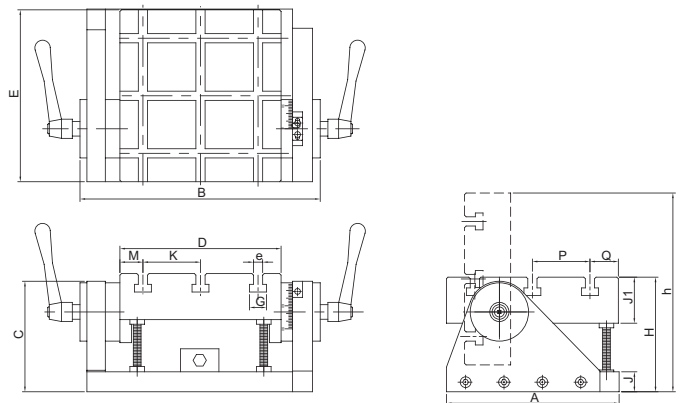
5Unit:mm

- Light cutting.
- Tilting angle adjustable: 0°-90°
- Can install with vise and mag. chuck.

ORDER NO.	A	B	C	D	E	F	G	H	I	J	J1	K	M	P	Q	e	h	Kgs	CODE NO.
VU-1517	180	228	92	154	176	16	20	105	44	22	50	50	27	50	34	12	198	14	1004-120

# Light Duty Tilting Plate

**NEW**



5Unit:mm

- Light cutting.
- Tilting angle adjustable: 0°-90°
- Can install with vise and mag. chuck.

ORDER NO.	A	B	C	D	E	G	H	I	J	J1	K	M	P	Q	e	h	Kgs	CODE NO.
VU-2122	225	312	144	210	224	20	154	69	26	60	75	30	75	37	12	258	28	1004-121

LIGHT DUTY TILTING PLATE