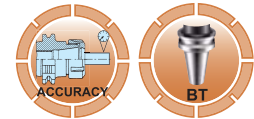
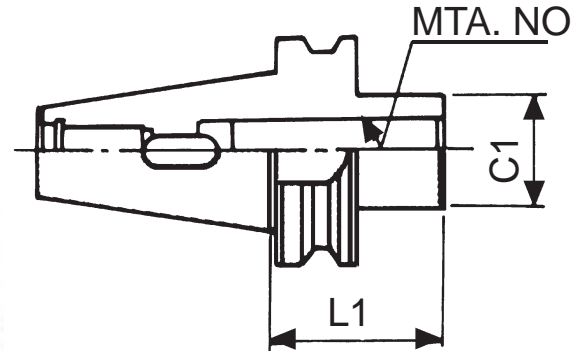
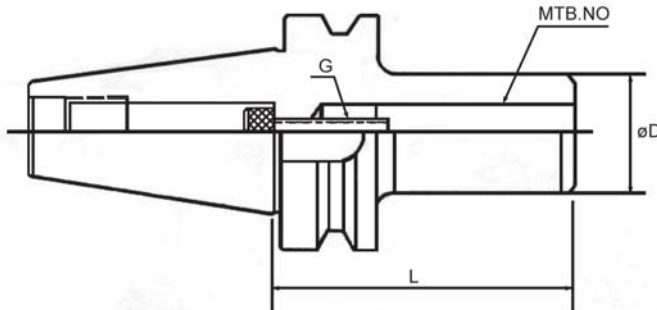




Morse Taper Adaptor

BT30,40,50-MTA,MTB

MAS 403 BT-SHANK



MTA TYPE (STANDARD TYPE)

ORDER NO.	TAPER	MT.NO.	L1	C1	WEIGHT(KG)	CODE NO.
BT-204	BT30	MT-2	60	32	0.6	3211-091
BT-207		MT-3	80	40	1.2	3211-092
BT-209	BT40	MT-1	50	25	1.1	3211-094
BT-212		MT-2	50	32	1.1	3211-095
BT-215		MT-3	75	40	1.3	3211-096
BT-218	BT50	MT-4	95	50	1.5	3211-097
BT-220		MT-1	45	25	3.5	3211-098
BT-223		MT-2	50	32	3.5	3211-099
BT-226		MT-3	65	40	3.6	3211-100
BT-229		MT-4	75	50	3.6	3211-101
BT-231	MT-5	105	65	4.2	3211-102	

MTB TYPE (STANDARD TYPE)

ORDER NO.	SIZE	MTB.NO.	L	ØD	G	WEIGHT(KG)	CODE NO.
BT-236	BT40-MTB1-45	MTB1	45	25	M16	1	3211-105
BT-237	BT40-MTB2-45	MTB2	45	32	M10	1	3211-106
BT-238	BT40-MTB3-45	MTB3	75	40	M12	1.2	3211-107
BT-239	BT40-MTB4-45	MTB4	75	48	M16	1.3	3211-108